

VERTY GO



GENERAL DATA

Applications

Multi-purpose submersible pumps for drainage, emptying, and pumping water between containers. Specifically designed for uses in narrow pits with dimensions down to 8" x 8".

Suitable to pump clear water containing particles with maximum diameter up to 1/4".

- * Drainage
- * Emptying sumps
- * Transferring water between large containers
- * Hydroponics

Constructional features of the pump

Technopolymer pump body.

Technopolymer impeller.

Technopolymer Vertical float switch.

Constructional features of the motor

Induction motor, closed and cooled with liquid being pumped

Wear resistant shaft with triple lip seals to ensure a long life.

Built-in thermic overload protection

Capacitor permanently in circuit.

Motor protection: NEMA6P

Insulation class: F

Cable Length: 16ft

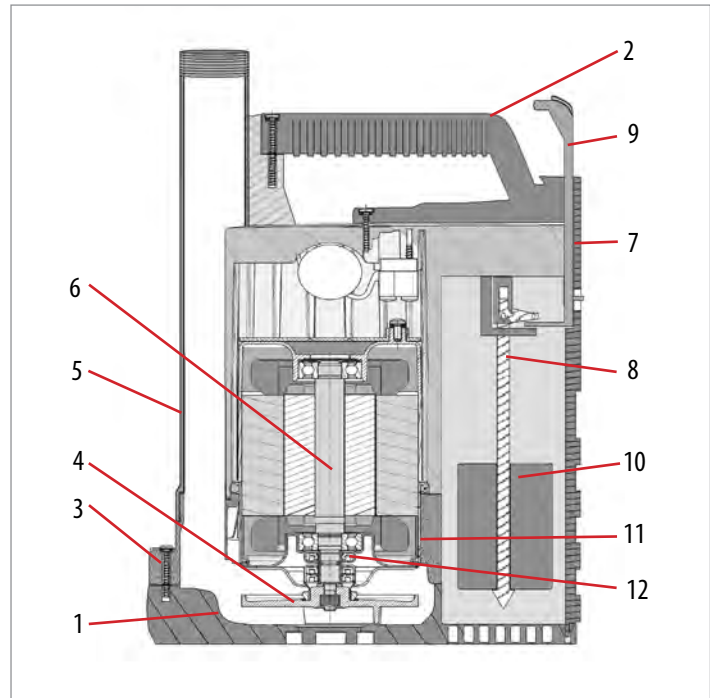
Standard voltage: 115v 60Hz

TECHNICAL DATA

MATERIALS

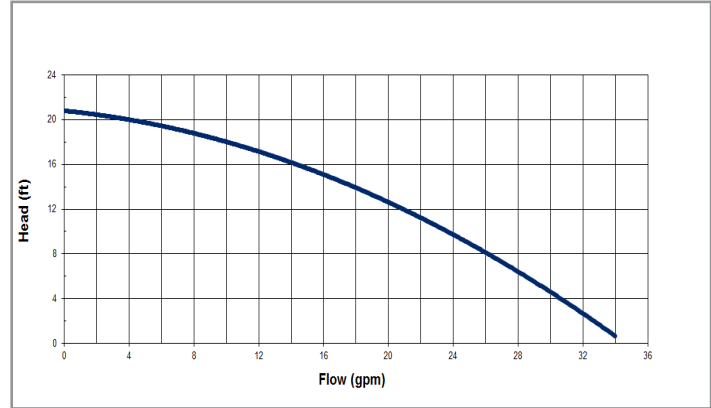
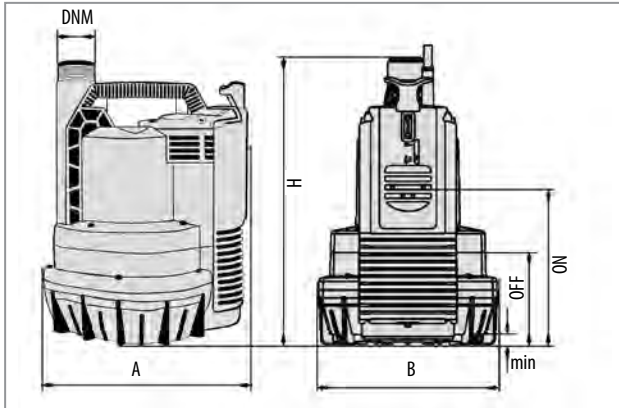
N°	PARTS*	MATERIALS
1	PUMP BASE	PP 30% GF
2	HANDLE	PP 20% TC
3	LOWER HOUSING	PP 15% GF NAT GRADE 6
4	IMPELLER	PP 20% GF
5	TOP BODY	PP 30% GF NAT GRADE 5
6	ROTOR SHAFT	AISI 416 STAINLESS STEEL
7	FLOAT COVER	ABS
8	FLOAT ROD	POM
9	MANUAL SWITCH	PP 15% GF
10	FLOAT	PP 15% GF
11	MOTOR COVER	DIE CAST ALUMINUM
12	TRIPLE LIP SEAL	NBR

* In contact with liquid



Operating Range:	From 1 to 52 gpm with a head up to 30ft (13 psi)
Liquid quality requirements:	clean, free from solids or abrasive substances, non viscous, non aggressive, non crystallized, chemically neutral, close to the characteristics of water
Liquid temperature Range:	From 32°F to 95°F
Maximum solids	1/4"
Maximum ambient temp.	104°F
Maximum operating pressure	13 psi
Maximum submersion	16 ft
Installation:	fixed or portable in a vertical position
Special version on request	other voltages and/or frequencies

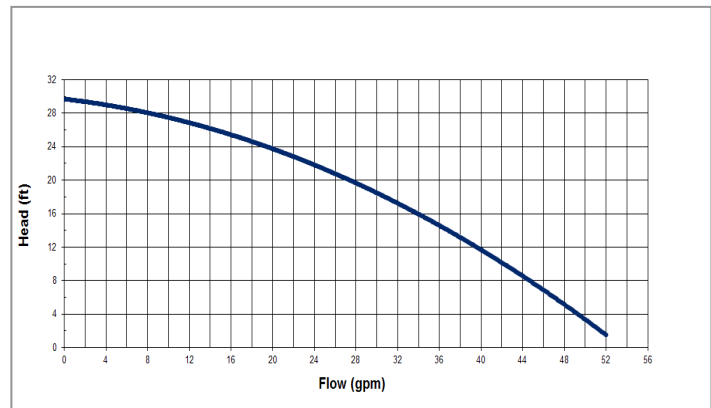
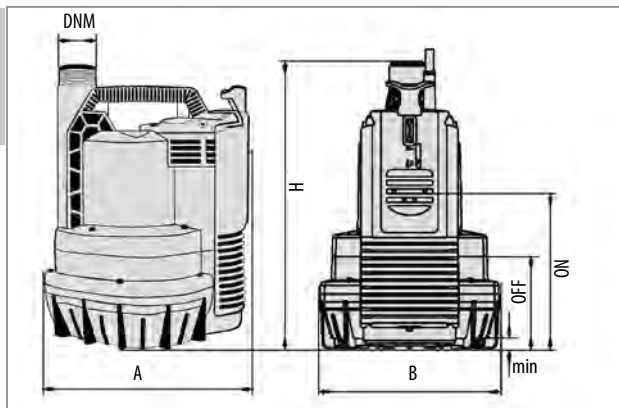
VERTY GO 300



MODEL	A	B	H	ON	OFF	MIN	DNM	Weight
VERTY GO 300	8 3/4"	7 1/4"	11 1/4"	5"	3"	1/16"	1 1/4" NPT	11.0 lbs

MODEL	ELECTRICAL DATA				HYDRAULIC DATA		
	Voltage 60Hz	P1 Watt Hp		In A	MAX Flow	Max Head	Max Pressure
VERTY GO 300	115v	300	1/3	3.4	34 gpm	21 ft	9 psi

VERTY GO 600



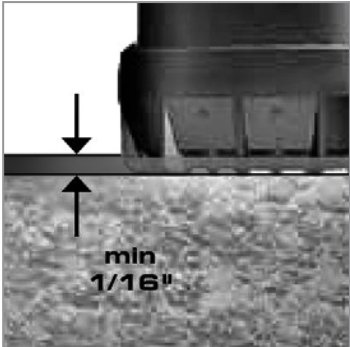
MODEL	A	B	H	ON	OFF	MIN	DNM	Weight
VERTY GO 600	8 3/4"	7 1/4"	11 1/4"	5"	3"	1/16"	1 1/4" NPT	14.2 lbs

MODEL	ELECTRICAL DATA				HYDRAULIC DATA		
	Voltage 60Hz	P1 Watt Hp		In A	MAX Flow	Max Head	Max Pressure
VERTY GO 600	115v	600	1/2	6.8	52 gpm	30 ft	13 psi

INSTALLATION DIAGRAM



Minimum suction depth



Minimum opening

