

MasterColor CDM-T Elite Med Wattage

MasterColor CDM-T Elite 315W/942 T12 U P 1CT



The Philips MasterColor Elite MW system offers an unrivalled level of light quality and performance. The lamp's sparkling white light creates a natural ambience and really brings out the best in all different types of colors. In addition, the high efficiency of the lamp and ballast together means reduced energy use and a lower cost of ownership compared to a 400W Metal Halide HID system.

Product data

• General Characteristics

Base	PGZX18.
Bulb	T12 [38 mm]
Bulb Finish	Clear
Operating Position	Universal [Any or Universal (U)]
Life to 5% failures EL	10500 hr
Life to 10% failures EL	13300 hr
Avg. Hrs. Life	20000 hr

• Light Technical Characteristics

Color Code	942 [CCT of 4200K]
Color Rendering Index	85 (min), 90 (nom) Ra8
Color Designation	Cool White
Color Temperature	4200 K
Color Temperature technical	4000 (min), 4200 (nom), 4400 (max) K
Initial Lumens	34300 Lm
Luminous Efficacy Lamp EL	109 Lm/W
Lumen Maintenance 2000h	97 %
Lumen Maintenance 5000h	96 %
Lumen Maintenance 8000h	95 %
Lumen Maintenance EL 10000h	93 %
Lumen Maintenance 12000h	91 %
Lumen Maintenance 20000h	80 %
Lumen Maintenance - 10% life	97 %

Lumen Maintenance - 40% life	95 %
Design Mean Lumens	30780 Lm
Chromaticity Coordinate X	0.373 -
Chromaticity Coordinate Y	0.371 -

• Electrical Characteristics

Energy Used	315 W
Lamp Wattage EL 25°C, Rated	315.0 W
Lamp Wattage EL 25°C, Nominal	315.0 W
Lamp Voltage	100 V
Lamp Current EL	3.15 A
Lamp Current Run-Up	4.7 A
Ignition Time	3 (max) s
Run-up time 90%	3 (max) min
Re-ignition Time [min]	10 (max) min

• Environmental Characteristics

Energy Efficiency Label (EEL)	A+
Mercury (Hg) Content	24 (max) mg
Picogram per Lumen Hour	39.0 p/LuHr
Energy consumption kWh/1000h	346 kWh

PHILIPS

MasterColor CDM-T Elite Med Wattage

• UV-related Characteristics

Damage Factor D/fc	0.20 -
PET (NIOSH)	26 h500lx
UV A	5.82 mW/cm ²
UV B	0.03 mW/cm ²
UV C	0.20 mW/cm ²

• Luminaire Design Requirements

Cap-Base Temperature	250 C
Pinch Temperature	300 (max) C
Bulb Temperature	350 (max) C

• Product Dimensions

Overall Length C	193 mm
Diameter D	38 mm
Light Center Length L	88 (min), 90 (nom), 92 (max) mm
Arc Length O	14 mm
Maximum Overall Length [inch]	7.6 (max) in

Light Center Length L	3.54 in
Diameter D	1.5 in

• Product Data

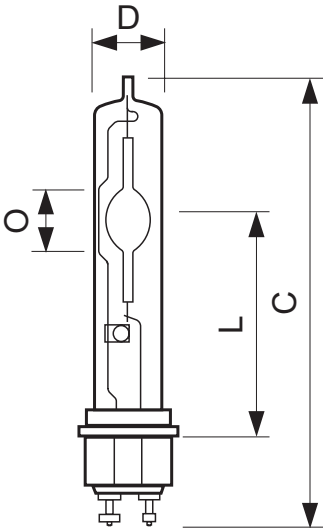
Order code	928601167302
Full product code	928601167302
Full product name	MasterColor CDM-T Elite 315W/942 T12 U P 1CT
Order product name	CDM T12 ELITE 315/942/U/O NA
Pieces per pack	1
Packing configuration	12
Packs per outerbox	12
Bar code on pack - EAN1	46677238094
Bar code on outerbox - EAN3	50046677238099
Logistic code(s) - 12NC	928601167302
ILCOS code	MTS-315/42/1A-H-PGZX18
Net weight per piece	0.001 kg

Warnings and Safety

- R "WARNING: These lamps can cause serious skin burn and eye inflammation from short wave ultraviolet radiation if outer envelope of the lamp is broken or punctured. Do not use where people will

remain for more than a few minutes unless adequate shielding or other safety precautions are used. Certain lamps that will automatically extinguish when the outer envelope is broken or punctured are commercially available." This lamp complies with FDA radiation performance standard 21 CFR subchapter J. (USA:21 CFR 1040.30 Canada: SOR/DORS/80-381)

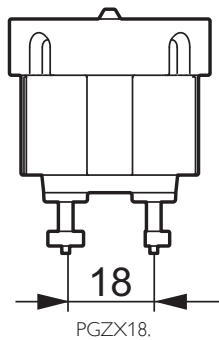
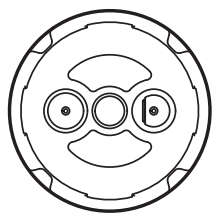
Dimensional drawing



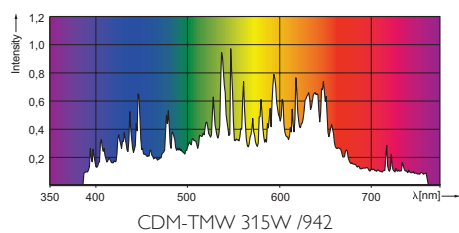
MasterColor CDM-T Elite 315W/942 T12 U P 1CT

Product	C (Norm)	C (Max)	D (Norm)	D (Max)
CDM TMW 315W/942 PGZX18. U P	193	-	38	-

Dimensional drawing



Photometric data



© 2014 Koninklijke Philips N.V. (Royal Philips)
All rights reserved.

Specifications are subject to change without notice. Trademarks are the property of Koninklijke Philips N.V. (Royal Philips) or their respective owners.

www.philips.com/lighting

2014, May 31
data subject to change